

KVM Extender
CE252
User Manual



FCC Information

This is an FCC Class A product. In a domestic environment this product may cause radio interference in which case the user may be required to take adequate measures.

This equipment has been tested and found to comply with the limits for a Class A digital device, pursuant to Part 15 of the FCC Rules. These limits are designed to provide reasonable protection against harmful interference when the equipment is operated in a commercial environment. This equipment generates, uses and can radiate radio frequency energy and, if not installed and used in accordance with the instruction manual, may cause harmful interference to radio communications. Operation of this equipment in a residential area is likely to cause harmful interference in which case the user will be required to correct the interference at his own expense.

RoHS

This product is RoHS compliant.

SJ/T 11364-2006

The following contains information that relates to China.

部件名称	有毒有害物质或元素					
	铅	汞	镉	六价铬	多溴联苯	多溴二苯醚
电器部件	●	○	○	○	○	○
机构部件	○	○	○	○	○	○

- : 表示该有毒有害物质在该部件所有均质材料中的含量均在SJ/T 11363-2006规定的限量要求之下。
- : 表示符合欧盟的豁免条款, 但该有毒有害物质至少在该部件的某一均质材料中的含量超出SJ/T 11363-2006的限量要求。
- ×: 表示该有毒有害物质至少在该部件的某一均质材料中的含量超出SJ/T 11363-2006的限量要求。



User Information

Online Registration

Be sure to register your product at our online support center:

International		http://support.aten.com
North America	ATEN TECH	http://www.aten-usa.com/product_registration
	ATEN NJ	http://support.aten.com

Telephone Support

For telephone support, call this number:

International		886-2-8692-6959
North America	ATEN TECH	1-888-999-ATEN
	ATEN NJ	1-732-356-1703

User Notice

All information, documentation, and specifications contained in this manual are subject to change without prior notification by the manufacturer. The manufacturer makes no representations or warranties, either expressed or implied, with respect to the contents hereof and specifically disclaims any warranties as to merchantability or fitness for any particular purpose. Any of the manufacturer's software described in this manual is sold or licensed `as is'. Should the programs prove defective following their purchase, the buyer (and not the manufacturer, its distributor, or its dealer), assumes the entire cost of all necessary servicing, repair and any incidental or consequential damages resulting from any defect in the software.

The manufacturer of this system is not responsible for any radio and/or TV interference caused by unauthorized modifications to this device. It is the responsibility of the user to correct such interference.

The manufacturer is not responsible for any damage incurred in the operation of this system if the correct operational voltage setting was not selected prior to operation. **PLEASE VERIFY THAT THE VOLTAGE SETTING IS CORRECT BEFORE USE.**

Package Contents

The CE252 KVM Extender package consists of:

- ◆ 1 CE252L KVM Extender (Local Unit)
- ◆ 1 CE252R KVM Extender (Remote Unit)
- ◆ 2 Custom KVM Cables
- ◆ 1 Power Adapter
- ◆ 2 Rack Mount Kits
- ◆ 2 Grounding Wires
- ◆ 1 User Manual*
- ◆ 1 Quick Start Guide

Check to make sure that all the components are present and that nothing got damaged in shipping. If you encounter a problem, contact your dealer.

Read this manual thoroughly and follow the installation and operation procedures carefully to prevent any damage to the unit, and/or any of the devices connected to it.

* Features may have been added to the CE252 since this manual was printed. Please visit our website to download the most up-to-date version of the manual.

© Copyright 2007 ATEN® International Co., Ltd.
Manual Part No. PAPE-0277-100G
Printing Date: 11/2007

ATEN and the ATEN logo are registered trademarks of ATEN International Co., Ltd. All rights reserved.
All other brand names and trademarks are the registered property of their respective owners.

Contents

FCC Information	ii
RoHS	ii
SJ/T 11364-2006	ii
User Information	iii
Online Registration	iii
Telephone Support	iii
User Notice	iii
Package Contents	iv
About this Manual	vii
Conventions	vii
Product Information	viii
1. Introduction	
Overview	1
Features	2
Requirements	3
Console	3
Computers	3
Cables	3
Components	4
CE252L Front View	4
CE252R Front View	5
CE252L / CE252R Rear View	6
2. Hardware Setup	
Rack Mounting	7
Installation	9
Grounding	9
Setting Up	11
Installation Diagram	12
3. Operation	
Access Methods	13
Hotkey Operation	13
Auto Scan Mode (ASM)	14
[Left Shift] [Right Shift]	14
Changing the Scan Interval	14
[Left shift] [Right shift] [n]	14
Using Gain Controls	15
Accessing Local Computers	15
LED Display	16
CE252L (Local Unit)	16
CE252R (Remote Unit)	16

4. Appendix

Safety Instructions	17
General	17
Rack Mounting	19
Technical Support	20
International	20
North America	20
Specifications	21
VGA Pin Assignments	22
TP Wiring Diagram	22
TP Pin Assignments	22
Troubleshooting	23
About SPHD Connectors	24
Limited Warranty	24

About this Manual

This User Manual is provided to help you get the most from your *c/c* system. It covers all aspects of installation, configuration and operation. An overview of the information found in the manual is provided below.

Chapter 1, Introduction, introduces you to the CE252 system. Its purpose, features and benefits are presented, and its front and back panel components are described.


Chapter 2, Hardware Setup, describes how to set up your installation. The necessary steps – from a basic single stage hookup to a complete 32 switch daisy chained operation are provided.

Chapter 3, Operation, explains the fundamental concepts involved in operating the CE252.

An Appendix, provides specifications and other technical information regarding the CE252.

Conventions

This manual uses the following conventions:

- | | |
|---|--|
| Monospaced | Indicates text that you should key in. |
| [] | Indicates keys you should press. For example, [Enter] means to press the Enter key. If keys need to be chorded, they appear together in the same bracket with a plus sign between them: [Ctrl+Alt]. |
| 1. | Numbered lists represent procedures with sequential steps. |
| ◆ | Bullet lists provide information, but do not involve sequential steps. |
| → | Indicates selecting the option (on a menu or dialog box, for example), that comes next. For example, Start → Run means to open the <i>Start</i> menu, and then select <i>Run</i> . |
|  | Indicates critical information. |

Product Information

For information about all ATEN products and how they can help you connect without limits, visit ATEN on the Web or contact an ATEN Authorized Reseller. Visit ATEN on the Web for a list of locations and telephone numbers:

International		http://www.aten.com
North America	ATEN TECH	http://www.aten-usa.com
	ATEN NJ	http://www.aten.com

Chapter 1

Introduction

Overview

The CE252 offers local and remote access to your KVM installation. Both (local and remote) KVM extenders support PS/2 consoles and can be located up to 300 m (1000 feet) apart.

You can reliably manage a large number of computers via a KVM switch. Additional computers can also be connected to the remote KVM extender.

The CE252 also features *Automatic Gain Control*, which compensates signal strength as the distance between the local and remote KVM extenders varies (over Cat 5 cables). This translates into high resolution video at a lower cost.

The CE252 uses a custom ASIC to ensure the utmost reliability and compatibility. This technology comprises automatic distance sensing and signal strength (gain) adjustment.

Setup is easy – simply connect the computer system box (or KVM switch) and Local Console to the CE252 Local Unit; run a Cat. 5 cable to the CE252 Remote Unit (up to 300 meters away); finally plug the Remote Console into the Remote Unit.

Features

- ◆ Local and Remote units connect at distances up to 300m using Cat. 5 cable
- ◆ Dual Console Operation – control the system from both the local and remote consoles
- ◆ Remote unit allows additional PC connection
- ◆ Built-in ASIC for greater reliability and compatibility
- ◆ PS/2 and Microsoft Intellimouse supported
- ◆ Pushbutton selection – sequential selection between local and auto mode
- ◆ Hotkey operation – switching between PCs
- ◆ High resolution video – up to 1600 x 1200 @ 60Hz
- ◆ VGA, SVGA, and multisync monitor support
- ◆ Local monitor supports DDC2B
- ◆ Two gain control modes provided to compensate for distance for the sharpest video quality:
 - ◆ Adjustable gain control – manually adjusts signal strength
 - ◆ Automatic gain control – automatically adjusts signal strength
- ◆ Built-in 8KV ESD protection and 2KV surge protection
- ◆ Local unit takes its power from the computer – external power is only required when the power from the local computer is not enough*
- ◆ Easy to install – no software required – connecting cables to the devices is all it takes

Note: If you choose to purchase a power adapter for use with the CE252L, be sure to get one with the same specifications as the one provided in this package for the CE252R

Requirements

Console

- ◆ A VGA, SVGA, or Multisync monitor capable of the highest resolution that you will be using on any computer in the installation.
- ◆ A PS/2 type keyboard
- ◆ A PS/2 type mouse

Note: If you connect a DDC type monitor to the Local Unit, the monitor that connects to the Remote Unit must be able to support the highest video resolution that the DDC monitor can provide.

Computers

The following equipment must be installed on each computer that is to be connected to the system:

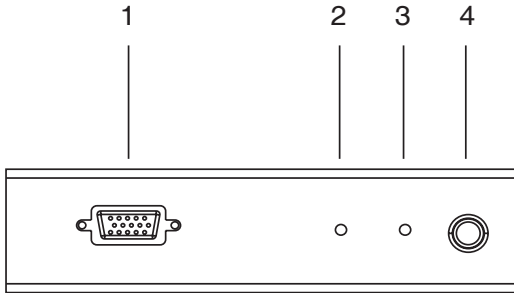
- ◆ A VGA, SVGA, or Multisync card
- ◆ A 6-pin mini-DIN mouse port
- ◆ A 6-pin mini-DIN keyboard port

Cables

- ◆ Although it is possible to use standard KVM cables to link the computers with PS/2 type keyboard and mouse ports to the CE252, for optimal signal integrity ATEN recommends using the KVM cables provided with this package.
- ◆ For best performance, use Category 5 (or higher) cables to connect the CE252 Local and Remote Units.

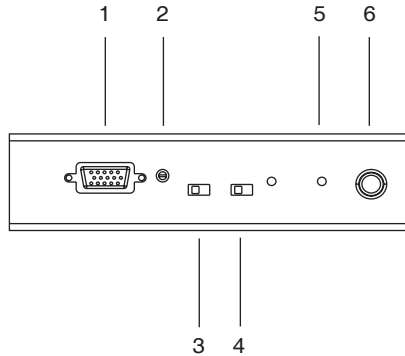
Components

CE252L Front View

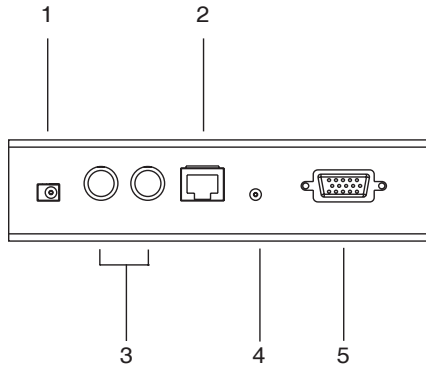


No.	Description	Function
1	KVM Port	The KVM cable that links the CE252L to the local computer plugs in here.
2	Local LED	The Local Unit has two LEDs to indicate the operating status of the Local and Remote Units. See <i>LED Display</i> , page 16, for operating status details.
3	Remote LED	
4	Local /Auto Pushbutton	Pressing this button toggles between the Local and Remote operating modes. Local: Only the local console controls the system. Auto: Both consoles control the system: See <i>Accessing Local Computers</i> , page 15, for operating mode details.

CE252R Front View



No.	Description	Function
1	KVM Port	The KVM cable that links the CE252R to the remote computer plugs in here.
2	Manual Gain Control	Use a flathead screwdriver or another similar object to manually adjust the signal gain.
3	Auto/Manual Gain Selection Switch	This allows you to toggle between Auto and Manual Gain: When the switch is set to Auto, The unit automatically adjusts the signal gain When the switch is set to Manual, signal gain is set using the <i>Manual Gain Control</i>
4	Hotkey Selection Switch	This allows you to change the KVM focus between the Local and Remote Units. Select CTRL + CTRL or SCOLL LOCK + SCROLL LOCK as the hotkey. (When changing the hotkey settings, you must disconnect and then reconnect the Remote Unit's power adapter cable for the new settings to take effect.) See <i>Hotkey Operation</i> , page 13, for details on how to switch between the Local and Remote Units from the Remote Console.
5	Local LED	The Remote Unit has two LEDs to indicate the operating status of the Local and Remote Units. See <i>LED Display</i> , page 16, for operating status details.
6	Remote LED	

CE252L / CE252R Rear View

No.	Description	Function
1	Power Jack	The cable from the AC Power Adapter connects here.*
2	Keyboard / Mouse Ports	These PS/2 ports are for the Console's keyboard (purple) and mouse (green).
3	Remote I/O	The Category 5 cable that connects the Remote and Local Units plugs in here.
4	Grounding Terminal	The grounding wire (used to ground the unit) attaches here.
5	Monitor Port	The Console monitor connects to this port.

Note: The Local Unit (CE252L) can get its power from the computer – external power is only required when power from the computer is insufficient. If you choose to purchase a power adapter for use with the CE252L, be sure to get one with the same specifications as the one provided in this package for the CE252R.

Chapter 2

Hardware Setup

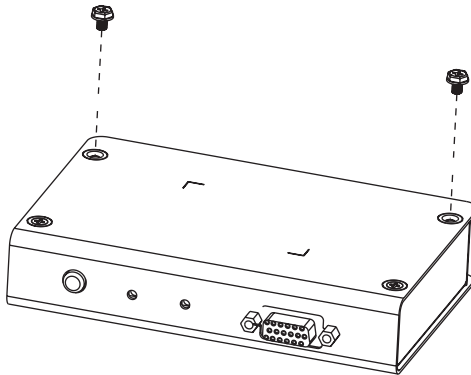


1. Important safety information regarding the placement of this device is provided on page 17. Please review it before proceeding.
2. Make sure that all the devices you will be connecting are properly grounded.

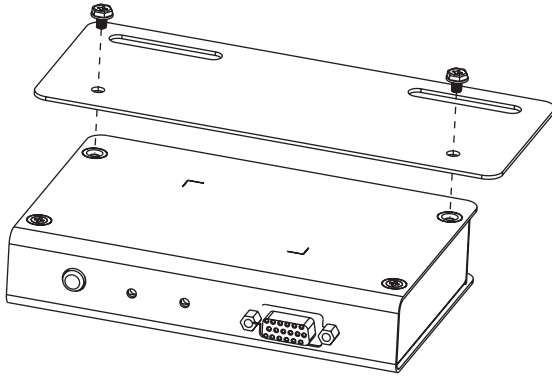
Rack Mounting

For convenience and flexibility, the CE252L and CE252R can be mounted on system racks. To rack mount a unit do the following:

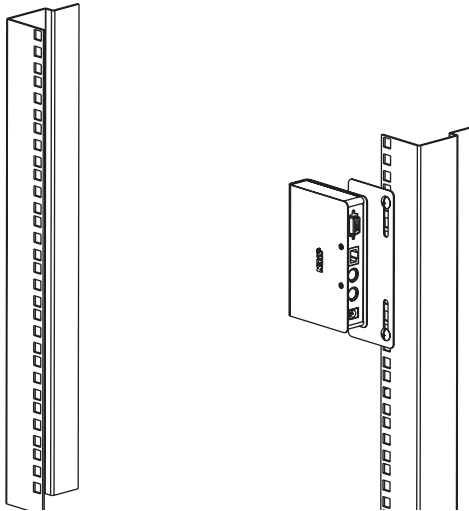
1. Unscrew either the two front screws or two rear screws from the bottom panel.



2. Use the screws you just removed to attach the mounting bracket that came with your package to the unit:



3. Screw the bracket into any convenient location on the rack.

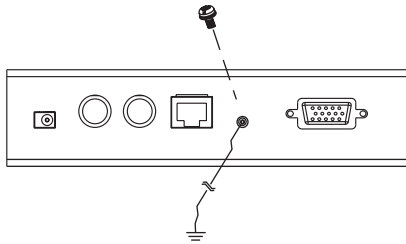


Installation

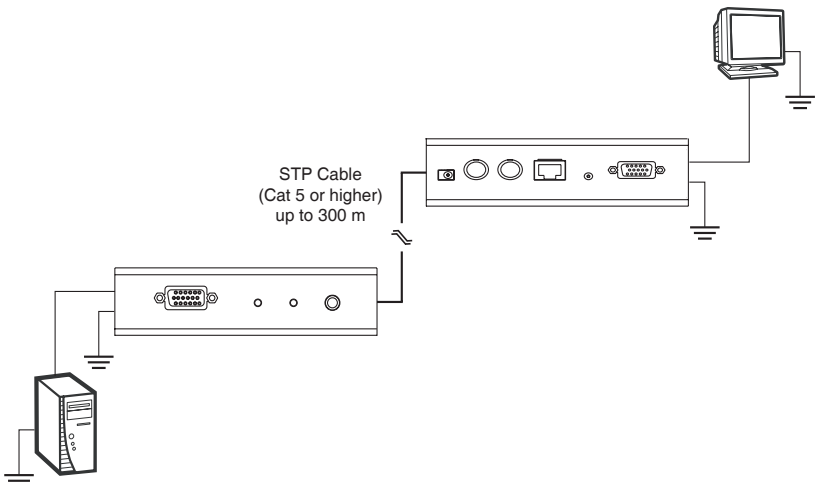
Grounding

To prevent damage to your installation it is important that all devices are properly grounded.

1. Use the two grounding wires supplied with this package to ground both units by connecting one end of the wire to the grounding terminal, and the other end of the wire to a suitable grounded object.



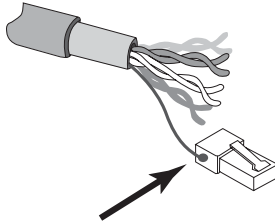
2. Make sure that the computer that the CE252L connects to and the monitor that the CE252R connects to are properly grounded.



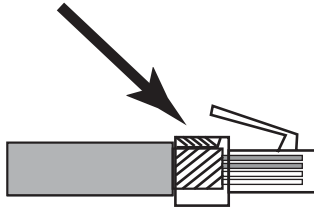
3. See the Grounding Information card that came with this package for proper grounding details.

4. For increased grounding protection, use STP (shielded twisted pair) cable to connect the local and remote units. There are two methods that can be used:

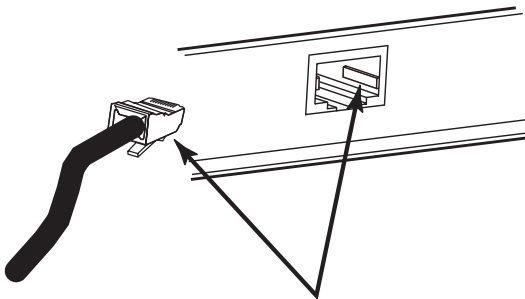
a) In addition to the eight paired wires, STP cable also contains a grounding wire. Solder this wire to the RJ-45 connector as shown in the diagram below:



b) The second method is to use the STP cable shielding for grounding. In this case, make sure that the shielding makes tight contact with the top inside of the RJ-45 connector as shown in the diagram below:



In either case, make sure that the sides of the RJ-45 connector make tight contact with the grounding contacts on the sides of the RJ-45 socket as shown in the diagram below:



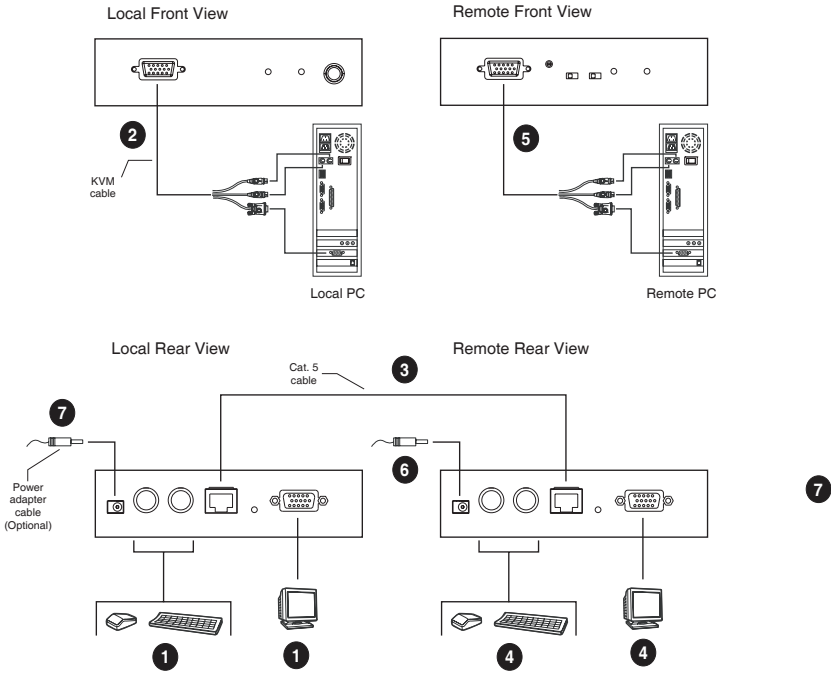
Setting Up

Setting up the CE252 is simply a matter of plugging in the cables. Refer to the installation diagram on the following page (the numbers in the diagram correspond to the numbered steps) and do the following:

1. Connect the local console devices (mouse, keyboard and monitor) to the ports on the rear of the Local Unit (CE252L).
2. Plug the provided KVM cable into the appropriate connector on the front of the CE252L, then plug the connectors on the other end of the KVM cable into the appropriate ports on the computer system (or Console section of the KVM switch - if you are using one).
Each connector is marked with an identifying icon.
3. Connect one end of a Category 5 twisted pair cable to the Remote I/O port on the CE252L, then plug the other end of the Category 5 twisted pair cable into the Remote I/O port on the CE252R.
4. Connect the remote console devices (mouse, keyboard and monitor) to the ports on the rear of the Remote Unit (CE252R).
5. Plug the provided KVM cable into the appropriate connector on the front of the CE252R, then plug the connectors on the other end of the KVM cable into the appropriate ports on the computer system (or Console section of the KVM switch - if you are using one). Each connector is marked with an identifying icon.
6. Connect the other provided power adapter into an AC source, then connect the adapter's power cable to the Power Jack on the CE252R.
7. If you choose to use a power adapter with the CE252L, plug the power adapter into an AC source and plug the adapter's power cable into the CE252L's Power Jack.

Note: Use of a power adapter with the CE252L is optional. Please refer to the note regarding the Power Jack on page 6 for further details.

Installation Diagram



Chapter 3

Operation

Access Methods

By default, the Remote Console allows you to access computers connected to the Local Unit (via the KVM switch). Moreover, the Remote Console offers access to computers connected to the Remote Unit. For example, an additional computer or KVM switch connected to the Remote Unit.

The CE252R/L KVM Extender features the following two flexible computer access methods: Hotkey Operation and Auto Scan Mode.

Note: Before using the Remote Console, verify the Hardware installation is complete. See *Setting Up*, page 11. Hotkey operation and Auto Scan mode are only available to Remote Console (Remote Unit) users.

Hotkey Operation

Hotkeys offer convenient switching between the Local and Remote Units from the Remote Console.

To change the KVM focus between the Local and Remote Units do the following:

1. From the Remote Unit, select CTRL + CTRL or SCROLL LOCK + SCROLL LOCK (Hotkey selection slide switch, see *CE252R Front View*, page 5). This will set the desired hotkey.

Note: When connecting an additional KVM switch to the Remote Unit, make sure the selected hotkey is different from the one being used to control the KVM.

2. At the Remote Unit console, press the selected hotkey twice. This will change the KVM focus between the local and remote PCs.

Auto Scan Mode (ASM)

The Auto Scan feature automatically toggles the KVM focus between the Local and Remote Units at regular intervals. As a result, any computers connected to each can be monitored without user intervention. The default time interval is 5 seconds.

To invoke Auto Scan Mode do the following:

Press and release the Left Shift key; then press and release the Right Shift key:

[Left Shift] [Right Shift]

Once scanning begins, it continues until you press the [Spacebar] to exit Auto Scan Mode. The port that was currently active at the time scanning stopped remains active.

Note: While Auto Scan Mode is in effect, ordinary keyboard and mouse functions are suspended. You must exit Auto Scan Mode by pressing the [Spacebar] in order to regain normal control of their use.

Changing the Scan Interval

If you wish, before you invoke Auto Scanning you can change the amount of time Auto Scan stops at each port. To do so, use the following Hotkey combination (press and release the keys one at a time):

[Left shift] [Right shift] [n]

Where **n** represents a number from 1 to 4 that specifies the desired scan interval time, as shown in the table below:

n	Scan Interval
1	3 secs
2	5 secs
3	10 secs
4	20 secs

Using Gain Controls

After installing the CE252R/L, you can adjust the strength of the video signal (Gain).

There are two available Gain controls: **Automatic** and **Manual**.

Select the Automatic Gain slide switch on the Remote Unit to let CE252R/L adjust the video signal strength. Otherwise, to adjust the gain manually, select the Manual Gain slide switch, then turn the **Video Gain Control** knob left or right.

Accessing Local Computers

The **Local/Auto** pushbutton located on the Local Unit allows users to restrict the access to the KVM switch connected to it.

Pushing the **Local** button will block access from the remote console to the local computers (only the Local Console has access). Selecting **Auto** will allow access from both consoles (Local and Remote Consoles).

LED Display

The CE252 Local and Remote Units have front panel LEDs to indicate their operating status, as shown in the tables, below:

CE252L (Local Unit)

LED	Auto
Local	<ol style="list-style-type: none">1. Lights when the local console is active (the Remote LED is out).2. Turns off when the remote console is active (the Remote LED turns on).3. Flashes on and off alternately with the Remote LED when neither console is active.
Remote	<ol style="list-style-type: none">1. Lights when the remote console is active (the Local LED is out).2. Turns off when the local console is active (the Local LED turns on).3. Flashes on and off alternately with the Local LED when neither console is active.

CE252R (Remote Unit)

LED	Indication
Local	<ol style="list-style-type: none">1. Lights steadily to indicate that the remote console is accessing/able to access the local PC.2. Turns off when the remote console is not accessing the local PC.3. Flashes when the connection to the local PC fails.
Remote	<ol style="list-style-type: none">1. Lights when the remote console is active.2. Turns off when remote console is not active.

Safety Instructions

General

- ◆ Read all of these instructions. Save them for future reference.
- ◆ Follow all warnings and instructions marked on the device.
- ◆ Do not place the device on any unstable surface (cart, stand, table, etc.). If the device falls, serious damage will result.
- ◆ Do not use the device near water.
- ◆ Do not place the device near, or over, radiators or heat registers.
- ◆ The device cabinet is provided with slots and openings to allow for adequate ventilation. To ensure reliable operation, and to protect against overheating, these openings must never be blocked or covered.
- ◆ The device should never be placed on a soft surface (bed, sofa, rug, etc.) as this will block its ventilation openings. Likewise, the device should not be placed in a built in enclosure unless adequate ventilation has been provided.
- ◆ Never spill liquid of any kind on the device.
- ◆ Unplug the device from the wall outlet before cleaning. Do not use liquid or aerosol cleaners. Use a damp cloth for cleaning.
- ◆ The device should be operated from the type of power source indicated on the marking label. If you are not sure of the type of power available, consult your dealer or local power company.
- ◆ The device is designed for IT power distribution systems with 230V phase-to-phase voltage.
- ◆ Do not allow anything to rest on the power cord or cables. Route the power cord and cables so that they cannot be stepped on or tripped over.
- ◆ If an extension cord is used with this device make sure that the total of the ampere ratings of all products used on this cord does not exceed the extension cord ampere rating. Make sure that the total of all products plugged into the wall outlet does not exceed 15 amperes.
- ◆ To help protect your system from sudden, transient increases and decreases in electrical power, use a surge suppressor, line conditioner, or un-interruptible power supply (UPS).

- ◆ Position system cables and power cables carefully; Be sure that nothing rests on any cables.
- ◆ When connecting or disconnecting power to hot-pluggable power supplies, observe the following guidelines:
 - ◆ Install the power supply before connecting the power cable to the power supply.
 - ◆ Unplug the power cable before removing the power supply.
 - ◆ If the system has multiple sources of power, disconnect power from the system by unplugging all power cables from the power supplies.
- ◆ Never push objects of any kind into or through cabinet slots. They may touch dangerous voltage points or short out parts resulting in a risk of fire or electrical shock.
- ◆ Do not attempt to service the device yourself. Refer all servicing to qualified service personnel.
- ◆ If the following conditions occur, unplug the device from the wall outlet and bring it to qualified service personnel for repair.
 - ◆ The power cord or plug has become damaged or frayed.
 - ◆ Liquid has been spilled into the device.
 - ◆ The device has been exposed to rain or water.
 - ◆ The device has been dropped, or the cabinet has been damaged.
 - ◆ The device exhibits a distinct change in performance, indicating a need for service.
 - ◆ The device does not operate normally when the operating instructions are followed.
- ◆ Only adjust those controls that are covered in the operating instructions. Improper adjustment of other controls may result in damage that will require extensive work by a qualified technician to repair.

Rack Mounting

- ◆ Before working on the rack, make sure that the stabilizers are secured to the rack, extended to the floor, and that the full weight of the rack rests on the floor. Install front and side stabilizers on a single rack or front stabilizers for joined multiple racks before working on the rack.
- ◆ Always load the rack from the bottom up, and load the heaviest item in the rack first.
- ◆ Make sure that the rack is level and stable before extending a device from the rack.
- ◆ Use caution when pressing the device rail release latches and sliding a device into or out of a rack; the slide rails can pinch your fingers.
- ◆ After a device is inserted into the rack, carefully extend the rail into a locking position, and then slide the device into the rack.
- ◆ Do not overload the AC supply branch circuit that provides power to the rack. The total rack load should not exceed 80 percent of the branch circuit rating.
- ◆ Ensure that proper airflow is provided to devices in the rack.
- ◆ Do not step on or stand on any device when servicing other devices in a rack.

Technical Support

Technical support is available both by email and online (with a browser over the web):

International

Email Support		support@aten.com
Online Support	Technical Support	http://support.aten.com
	Troubleshooting Documentation Software Updates	http://www.aten.com
Telephone Support		886-2-8692-6959

North America

Email Support		ATEN TECH	support@aten-usa.com
		ATEN NJ	sales@aten.com
Online Support	Technical Support	ATEN TECH	http://www.aten-usa.com/support
		ATEN NJ	http://support.aten.com
	Troubleshooting Documentation Software Updates	ATEN TECH	http://www.aten-usa.com
		ATEN NJ	http://www.aten.com
Telephone Support		ATEN TECH	1-888-999-ATEN
		ATEN NJ	1-732-356-1703

When you contact us, please have the following information ready beforehand:

- ◆ Product model number, serial number, and date of purchase.
- ◆ Your computer configuration, including operating system, revision level, expansion cards, and software.
- ◆ Any error messages displayed at the time the error occurred.
- ◆ The sequence of operations that led up to the error.
- ◆ Any other information you feel may be of help.

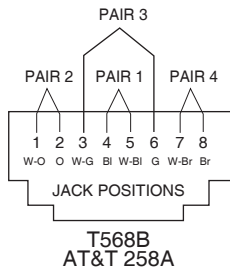
Specifications

Function		CE252L	CE252R	
Connectors	Console Port	Keyboard	1 x 6-pin Mini-DIN Female (Purple)	
		Video	1 x HDB-15 Female (Blue)	
		Mouse	1 x 6-pin Mini-DIN Female (Green)	
	KVM Port		1 x SPHD-15 Female (Yellow)	
	Link		1 x RJ-45 Female	
	Power adapter		1 x DC Jack	
LEDs	Local		1 (Green)	
	Remote		1 (Green)	
Switches	Selection Mode		1 x Pushbutton	N/A
	Manual Gain Control		N/A	1 x Knob
	Auto / Manual Gain Selection		N/A	1 x Slide
	Hotkey Selection		N/A	1 x Slide
Emulation	Keyboard / Mouse		PS/2	
Video		1600x1200 @ 150 m, 1024x768 @ 300 m		
Power Consumption		DC 5.3V, 2.6W		
Environment	Operating Temp.		0–50°C	
	Storage Temp.		-20–60°C	
	Humidity		0–80% RH, Non-condensing	
Physical Properties	Housing		Metal	
	Weight		0.35kg	
	Dimensions (L x W x H)		13.90 x 8.80 x 3.80 cm	

VGA Pin Assignments

Pin	Signal	Pin	Signal	Pin	Signal
1	Red Video	6	Analog Ground	11	ID0
2	Green Video	7	Analog Ground	12	ID1
3	Blue Video	8	Analog Ground	13	Horizontal Sync
4	ID2	9	NC	14	Vertical Sync
5	Ground	10	Ground	15	ID3

TP Wiring Diagram



TP Pin Assignments

Pin	Assignment
1	V OUT B
2	/V OUT B
3	V OUT G
4	V OUT R
5	/V OUT R
6	/V OUT G
7	/DO
8	DO

Troubleshooting

Problem	Solution
No video	Make sure that all cables are securely plugged into their sockets.
Poor video quality	The video quality can be improved by reducing the refresh rate.
Trails and smearing on the screen.	Unplug the Cat 5 cable from the remote unit, then replug it.
Local Unit not working	The power from the local computer may be insufficient. You may need to purchase a power adapter for use with the CE252L. Be sure to get one with the same specifications as the one provided in this package for the CE252R
Remote Unit not working	Make sure that the power adapter that came with this package is properly plugged into the remote unit's power jack.
Poor video quality with replacement units.	Previous models of the CE252 should not be used with newer models. Both the Local Unit and the Remote Unit should be replaced at the same time to ensure optimum video quality.

About SPHD Connectors



This product uses SPHD connectors for its KVM and/or Console ports. We have specifically modified the shape of these connectors so that only KVM cables that we have designed to work with this product can be connected.

Limited Warranty

IN NO EVENT SHALL THE DIRECT VENDOR'S LIABILITY EXCEED THE PRICE PAID FOR THE PRODUCT FROM DIRECT, INDIRECT, SPECIAL, INCIDENTAL, OR CONSEQUENTIAL DAMAGES RESULTING FROM THE USE OF THE PRODUCT, DISK, OR ITS DOCUMENTATION.

The direct vendor makes no warranty or representation, expressed, implied, or statutory with respect to the contents or use of this documentation, and especially disclaims its quality, performance, merchantability, or fitness for any particular purpose.

The direct vendor also reserves the right to revise or update the device or documentation without obligation to notify any individual or entity of such revisions, or update. For further inquiries, please contact your direct vendor.