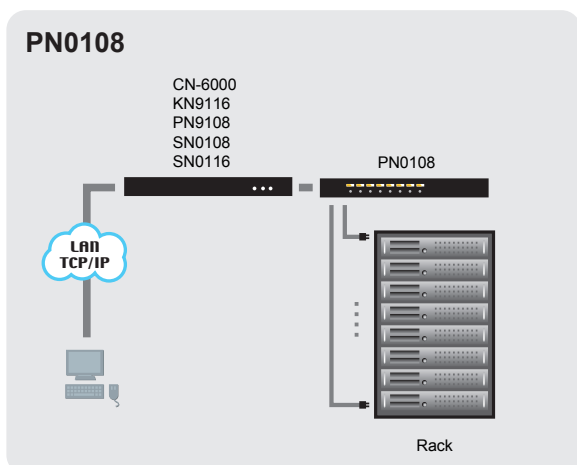


Power over the NET



Features:

- 8 individually addressable power outlets allow you to remotely reboot devices in your data center from anywhere in the world.
- Control up to 128 power outlets by daisy chaining 16 PN0108 units (max)
- Fully compatibility with Aten CN6000, KN9116, PN9108, SN0108, SN0116
- Easy to use Administration GUI (Java or Windows based) for configuring, controlling and monitoring each port.
- 2 levels of security
- Overcurrent protection and recovery for each AC outlet port
- Configurable power-on sequencing eliminates current overload allowing you optimize each circuit.
- Safe shutdown function provided via an additional COM port connection for 98SE/ME/NT/2000/XP/2003 systems
- Switch between local control and remote control by manually pressing R/LP button for each port
- Session timeouts can be set

Specifications:

Function	Specification
Power Inlet	1 x IEC 60320/C14 (M)
Power Outlets	8 x IEC 60320/C13 (F)
I/P Rating (Total input)	100 ~ 120V AC; 50/60Hz; 12A (max) 220 ~ 240V AC; 50/60Hz; 10A (max)
O/P Rating	Per Port
	Total
LEDs	Outlet Power
	Remote Access
Connectors	Station ID
	PON In
	PON Out
Switches	Safe Shutdown
	Power
	Outlet On / Off
FW Upgrade	1 x 2 position slide
Reset	1 x Semi hidden
Power Consumption (No Load)	120V; 60Hz; 15W 230V; 50Hz; 15W
Power Consumption (Maximum Load)	120V; 60Hz; 1440W 230V; 50Hz; 2300W
Environment	Operating Temperature: 0 ~ 40 °C Storage Temperature: -20 ~ 60 °C Humidity: 0 ~ 80% RH
Housing	Metal
Weight	3.7 kg
Dimensions (L x W x H)	43.2 x 21 x 4.4 cm